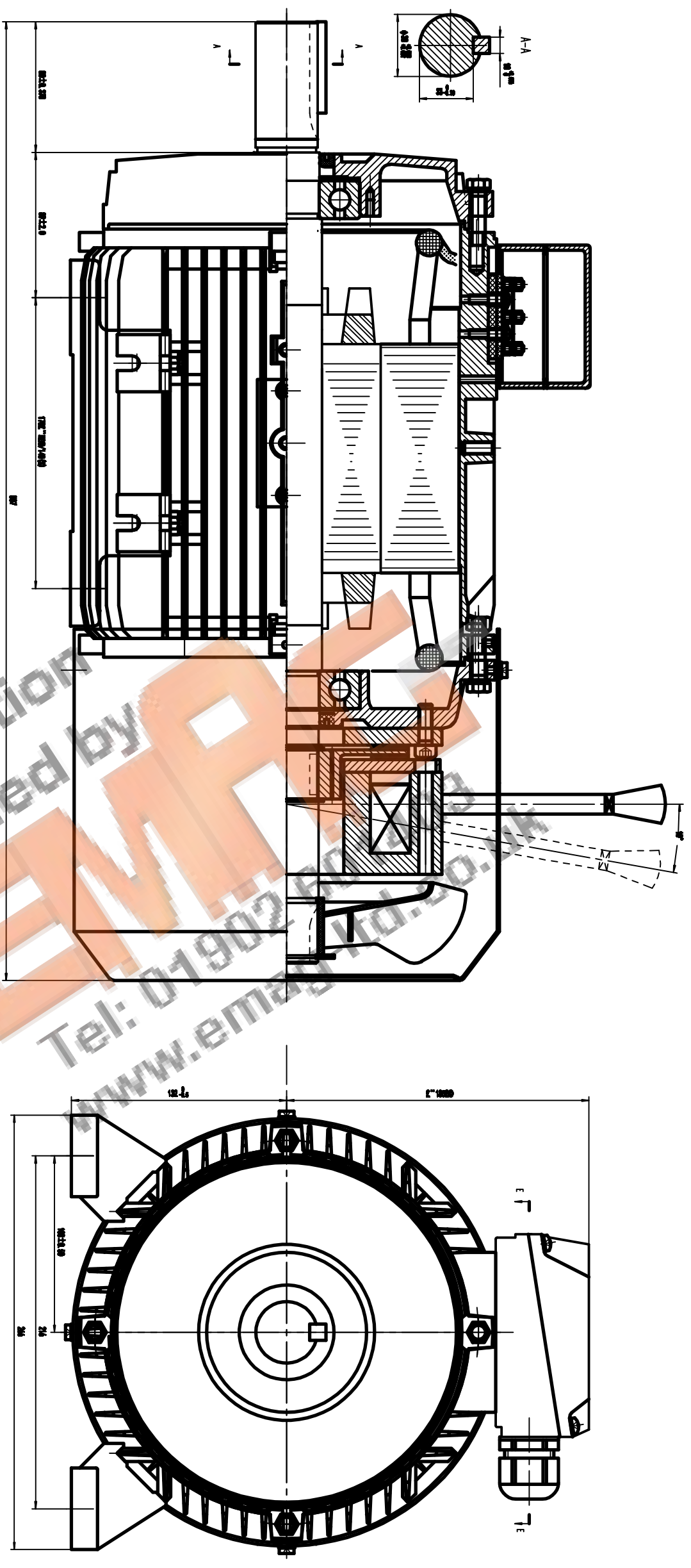


RevNo	Revision note	Date	Signature	Checked



Information provided by
EMAP
 Tel: 01902 400000
 www.emap.co.uk

Quantity	Title/Name, designation, material, dimension etc	Article No./Reference
Designed by	Checked by	Date
	Approved by - date	File name
		Scale

AMTECS LTD

AMA-B 132

Edition 0
Sheet 1/1

